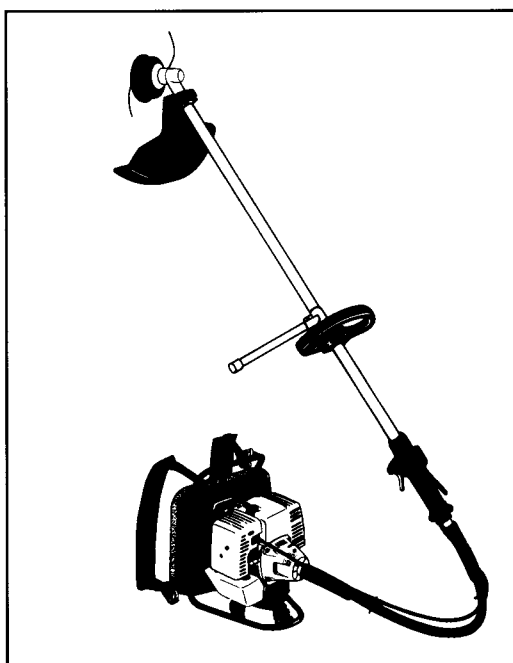




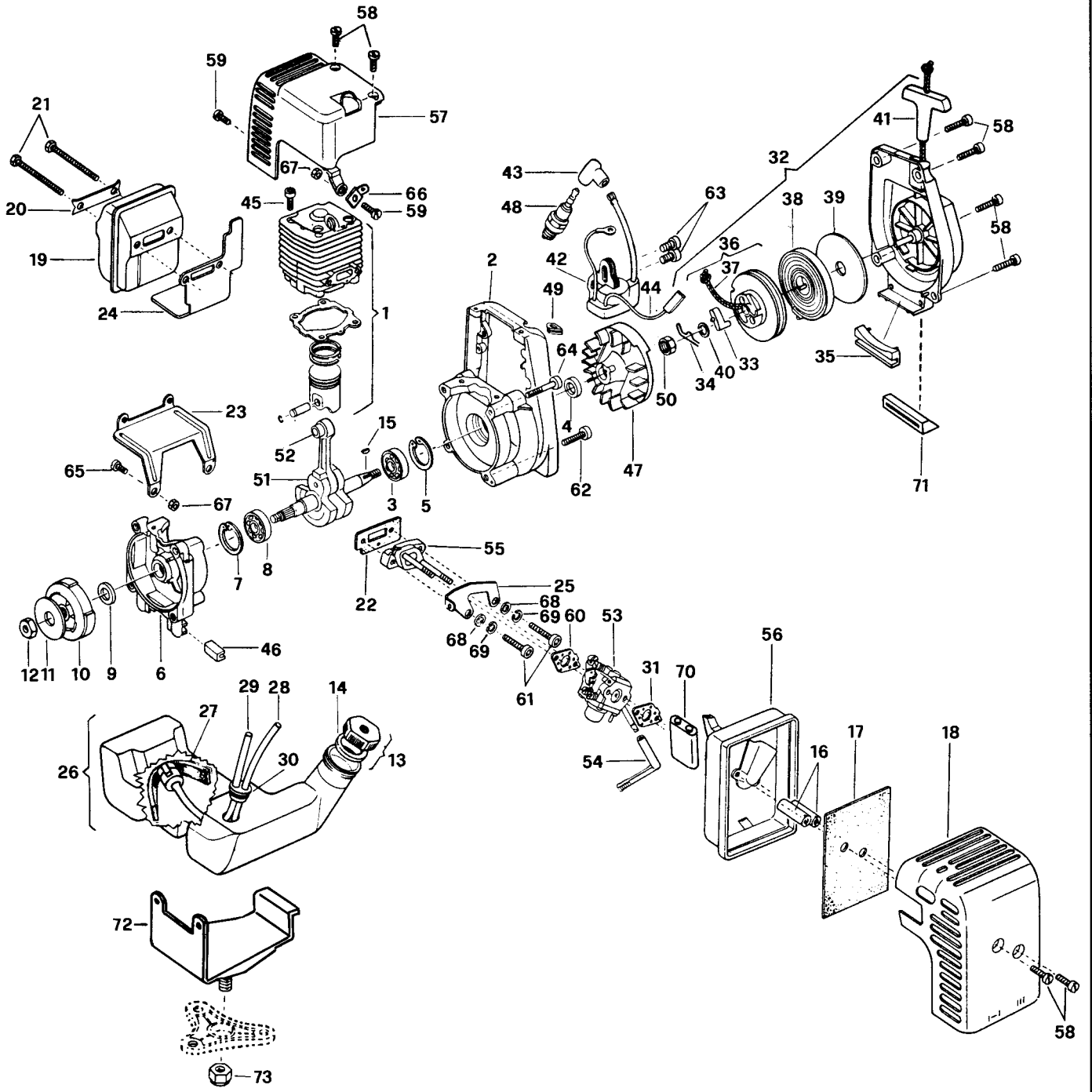
# ILLUSTRATED PARTS LIST

**BP 3000 - 4000**  
**BPT 4000**  
**GT 90**

SERIAL NUMBER PREFIX 03-04



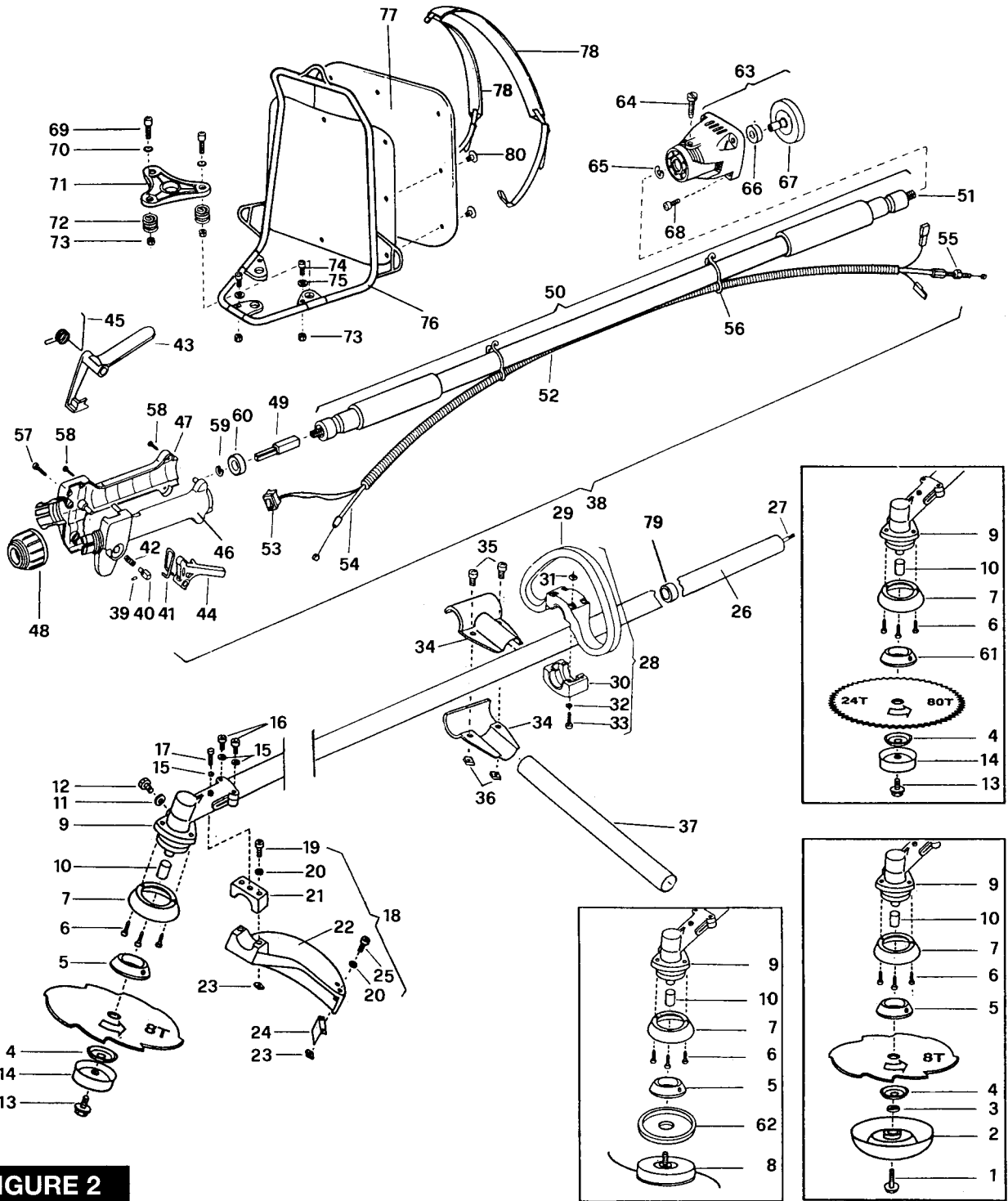
April 1997



**FIGURE 1**

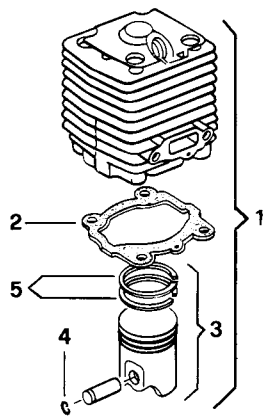
C	1	FIGURE 3							
	2	247704	1		241171	GT	1		
	3	● 235900	1	C 19	237436		1	A 37	●● 227703
	4	● 228872	1	20	227236		1	B 38	● 227300
C	5	● 235899	1	21	227274	M5x60	2	39	● 227467
	6	247703	1	C 22	227239		1	40	● 227470
	7	● 235899	1	23	227242		1	41	● 240884
	8	● 235900	1	C 24	227243		1	C 42	227874
C	9	● 228872	1	25	227244		1	43	● 235922
B	10	227282	1	C 26	240493	BP	1	44	227774
	11	236739	1	C	227787	BPT-GT	1	45	227565
	12	228294	1	A 27	● 240452		1	46	229280
B	13	236563	1	B 28	● 227139		1	47	227862
A	14	● 236564	1	B 29	● 229809		1	48	92879
C	15	102164	Prefix 03	C 30	● 235675		1	49	236322
C	16	227631	Prefix 04	A 31	227417		1	50	236617
	17	227143	BP	C 32	227896	BP-GT	1	51	240677
	18	240496	BP	C	227780	BPT	1	52	● 235742
		227785	BPT-GT	B 33	● 240492		1	C 53	FIGURE 5
B		227145		B 34	● 240485		1	54	227255
		227784	BPT	35	● 227186		1	C 55	237451
				B 36	● 227194		1	56	237452
								57	240497
									BP
									227900
									BPT
									241174
									GT
									58
									240688
									M5X14
									8
									59
									240688
									M5X14
									4
									A 60
									227692
									1
									61
									235803
									M5X25
									2
									62
									235804
									M5X30
									2
									63
									235806
									M5X20
									2
									64
									235919
									M5X40
									2
									65
									229563
									M5X10
									2
									66
									228139
									1
									67
									236732
									3
									68
									235248
									2
									69
									236529
									2
									70
									241129
									1
									71
									240244
									1
									72
									240973
									1
									73
									240469
									1

A = high moving - alta rotazione - haute demande - große Nachfrage B = medium moving - media rotazione - moyenne demande - mittelmäßige Nachfrage C = slow moving - bassa rotazione - basse demande - wenige Nachfrage



**FIGURE 2**

A 1	229843	M10x29	1	B 22	● 240932	1	43	● 240041	1	241005	BPT	1		
A 2	235986		1	23	● 236732	4	44	● 240042	1	241185	GT	1		
3	236323		1	24	● 224497-01	1	45	● 240043	1	64	● 240468	1		
A 4	229834		1	25	● 235802	M5x14	46	● 240166	1	C 65	● 236378	1		
A 5	229833		1	26	240828	1	47	● 240167	1	C 66	● 235918	1		
6	240688	M5x14	3	27	240189	1	48	● 240170	1	C 67	● 240194	1		
B 7	240767		1	28	236999	1	49	● 240181	1	68	235214	M6x20	4	
A 8	FIGURE 4			29	● 236808	1	50	● 240187	1	69	229077	M5x18	3	
9	240824		1	30	● 236809	1	C 51	● 240185	1	70	227259		3	
10	● 247272		1	31	● 236642	4	C 52	● 240198	1	71	240171		1	
11	● 235906		1	32	● 236936	4	C 53	● 236394	1	72	240196		3	
12	● 240151	M8x10	1	33	● 228320	M6x45	4	C 54	● 240199	1	73	240592		6
A 13	229842	M10x16	1	34	240682	2	55	● 235912	1	74	235802	M5x14	3	
A 14	236596		1	35	235911	M6x12	2	56	● 240200	2	75	227259		3
15	236529		3	36	236642	2	57	● 240617	2	76	240172		1	
16	235804	M5x30	2	37	246864	1	58	● 240618	4	77	240229		1	
17	236381	M5x10	1	38	240593	1	59	● 235224	1	78	240246		2	
B 18	247209		1	39	● 240526	1	60	● 235897	1	79	236383		5	
19	● 235806	M5x20	2	40	● 235892	1	A 61	240936	1	80	240588		8	
20	● 235248		4	41	● 235932	1	62	241155	1					
21	● 240870		1	42	● 235933	1	63	240197	BP	1				



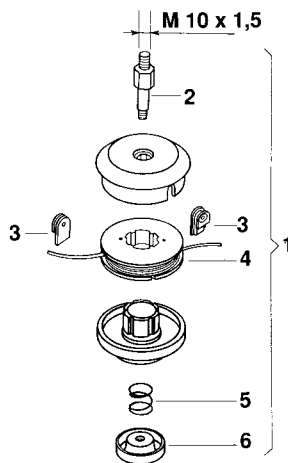
### 30 cc

C 1	247701	1
B 2	● 227286	1
C 3	● 240001	1
4	●● 235008	2
B 5	●● 240002	2

### 40 cc

C 1	247699	1
B 2	● 227286	1
C 3	● 240083	1
4	●● 235008	2
B 5	●● 240085	2

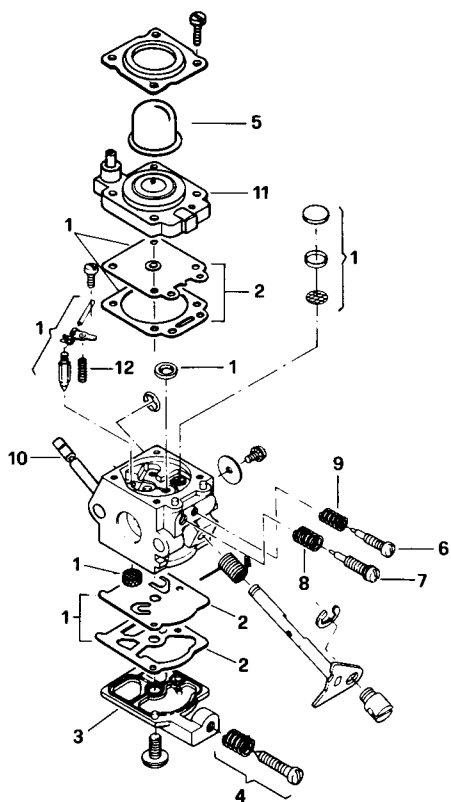
**FIGURE 3**



A 1	240853	-
2	● 240850 M10x1,5	1
B 3	● 241154	2
B 4	● 247395	1
5	● 240852	1
C 6	● 241153	1

**FIGURE 4**

## WALBRO WT 255

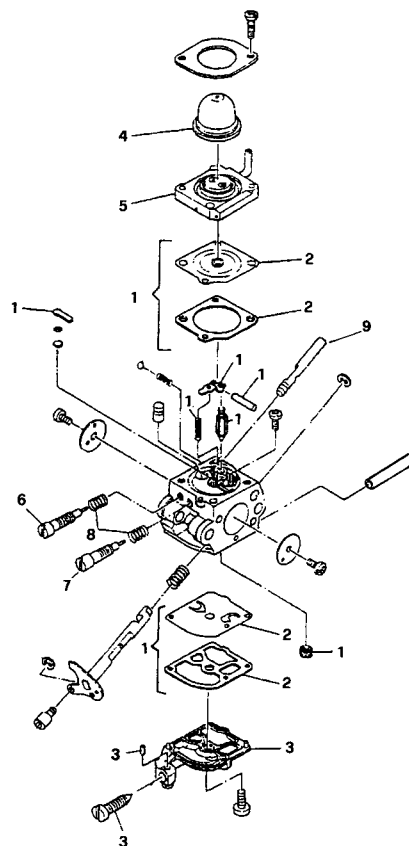


C -	<b>240048</b>	carbur.
B 1	● 229198	1
A 2	●● 229191	1
3	● 237480	1
4	● 237481	1
C 5	● 225834	1
6	● 246540	H 1
7	● 246541	L 1
8	● 229927	1
9	● 229601	1
10	● 225962	1
C 11	● 246949	1
C 12	● 246950	1

**FIGURE 5**

A = high moving - alta rotazione - haute demande - große Nachfrage  
 B = medium moving - media rotazione - moyenne demande - mittelmäßige Nachfrage  
 C = slow moving - bassa rotazione - basse demande - wenige Nachfrage

## ZAMA C1Q M31



C -	<b>240013</b>	carbur.
B 1	● 226226	1
A 2	●● 226227	1
3	● 246945	1
C 4	● 246946	1
C 5	● 246947	1
6	● 226228	H 1
7	● 226229	L 1
8	● 226230	2
9	● 246948	1